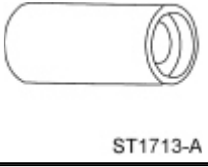
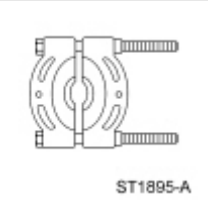



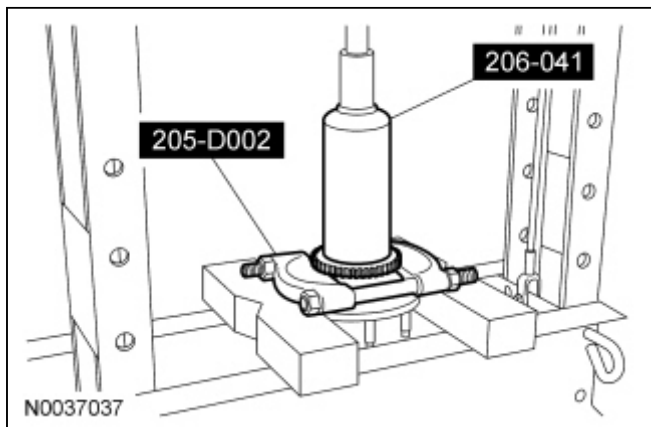
Wheel Speed Sensor Ring — Front

Special Tool(s)

 <p>ST1713-A</p>	Installer, Wheel Speed Sensor Ring 206-041 (T89P-20202-A)
 <p>ST1895-A</p>	Pinion Bearing Cone Remover 205-D002 (D79P-4621A)
 <p>ST2039-A</p>	Remover/Installer, Wheel Speed Sensor 206-033 (T88P-20202-A)

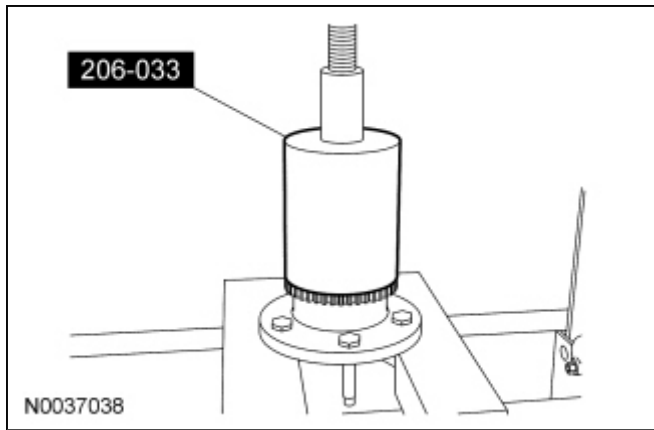
Removal

1. Remove the front hub and bearing assembly. For additional information, refer to [Section 204-01](#).
2. Using the Pinion Bearing Cone Remover and the Wheel Speed Sensor Ring Installer, remove the front wheel speed sensor ring from the front hub.



Installation

1. Using the Wheel Speed Sensor Remover/Installer, install the front wheel speed sensor ring to the front hub.



2. Install the front hub and bearing assembly. For additional information, refer to [Section 204-01](#).
-